

Heavy | Super Heavy | Giant

ENG

CATEGORY

LARGE

PARTNER - PNEUMATIC TELESCOPIC MASTS



TOPICS

- HEAVY TOP LOADS
- Ø 152, 200 AND 250MM

- EXTENDED HEIGHTS UP TO 40 METERS
- TILT & TURN UNIT HEAVY

- INTERNAL SPIRALLED CABLE

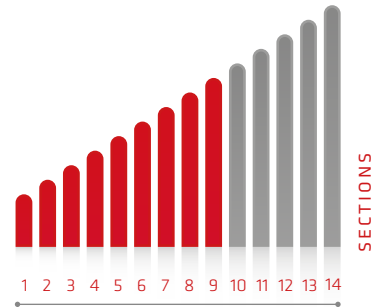
APPLICATIONS



The telescopic mast **HEAVY** has a diameter of 152mm. This mast model can carry heavy top loads and is therefore suitable for the mounting of large lamp units, large antennas and heavy measuring equipment. The extended heights go from 4.316mm up to 14.877mm.



APPLICATIONS



Mod. HEAVY Ø 152 mm		8 sections with internal cable									
CH 38		01	02	03	04	05	06	07	08	09	
Code N	extended height	mm	6.385	7.167	8.219	9.146	10.161	11.225	12.634	13.705	14.850
	retracted height	mm	1.504	1.601	1.751	1.881	2.011	2.164	2.354	2.470	2.671
	weight	kg	41,4	44	47,6	50,7	54	59	63,6	66,4	70
internal spiralled cable		Standard 4x1,5 mm ² Cod. B									
	max. top load	kg	110	110	100	100	80	70	60	50	40
	max. allowed wind speed	km / h	115	105	95	90	80	70	100	90	155
	with max. surface		1 m ²			0,8 m ²		1 m ²	0,7 m ²	1 m ²	
	max. air pressure		3 kg / cm ² (bar)								
									1 Level of guying rings	2 Levels of guying rings	

Mod. HEAVY Ø 152 mm		9 sections with internal cable									
CH 39		01	02	03	04	05	06	07	08	09	
Code N	extended height	mm	6.438	7.250	8.304	9.148	10.186	11.191	12.466	13.704	14.877
	retracted height	mm	1.453	1.570	1.680	1.810	1.930	2.048	2.200	2.355	2.515
	weight	kg	40,9	44,2	47,7	52,8	53	56,1	60,4	64,7	68,1
internal spiralled cable		Standard 4x1,5 mm ² Cod. B						Note*:GUYED			
	max. top load	kg	80	80	80	80	70	50	40	35	30
	max. allowed wind speed*	km / h	105	95	100	90	85	75	90	75	150
	with max. surface		1 m ²	0,7 m ²		0,5 m ²			1 m ²		
	max. air pressure		3 kg / cm ² (bar)								
	Ø top section		51 mm								
									1 Level of guying rings	2 Levels of guying rings	

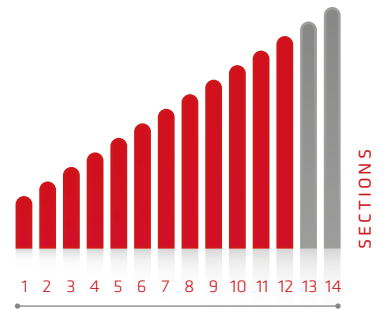
*When erecting masts with guying ropes, take extreme care during the extension phase. Maximum allowed wind speed during extension is 20km/h



The telescopic mast **SUPER HEAVY** has a diameter of 200mm. This mast model can carry greater loads than the Heavy model. Furthermore it's available up to 12 sections and allows to have a better ratio between the extended and the retracted height. The Super Heavy mast is suitable for the mounting of large lamp units, large antennas and heavy measuring equipment. The extended heights go from 6.445 mm up to 39.954 mm.



APPLICATIONS



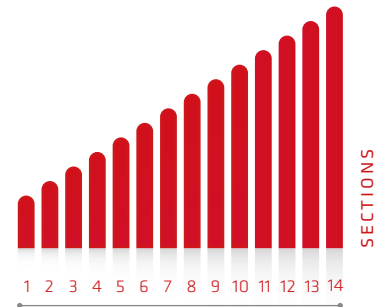
Mod. SUPER HEAVY Ø 200 mm		11 sections with internal cable									
CX 41		01	02	03	04	05	06	07	08	09	
Code N	extended height	mm	8.379	9.938	12.208	14.899	18.391	20.889	23.864	26.894	29.890
	retracted height	mm	1.610	1.791	2.045	2.300	2.662	2.980	3.085	3.375	3.691
	weight	kg	72,5	79,5	90,2	101,6	117,8	131,2	147,5	161,2	177,3
internal spiralled cable		Standard 4x1,5 mm ² Cod. B					without cable Code A				
max. top load		kg	80	70	60	50	40	35	30	25	20
max. allowed wind speed		km / h	120	100	85	160	130	130	110	90	70
with max. surface			1 m ²		0,75 m ²	1 m ²		0,5 m ²		0,3 m ²	
max. air pressure			3 kg / cm ² (bar)								
Ø top section			64 mm								
			2 Levels of guying rings				3 Levels of guying rings				

Mod. SUPER HEAVY Ø 200 mm		12 sections with internal cable										
CX 42		01	02	03	04	05	06	07	08	09		
Code N	extended height	mm	14.959	18.479	20.946	23.954	26.950	29.947	32.954	36.452	39.954	
	retracted height	mm	2.210	2.570	2.870	2.930	3.220	3.500	3.790	4.120	4.570	
	weight	kg	99,6	116,5	129,1	143,8	158,3	172,8	187,4	203,9	228	
internal spiralled cable		Standard 4x1,5 mm ² Cod. B					without cable Code A					
max. top load		kg	50	35	30	25	20	15	10	8	5	
max. allowed wind speed		km / h	170	150	125	105	85	65	40	35	30	
with max. surface			0,5 m ²			0,3 m ²		0,2 m ²		0,1 m ²		
max. air pressure			3,5 kg / cm ² (bar)									
Ø top section			51 mm									
			2 Levels of guying rings		3 Levels of guying rings				4 Levels of guying rings			

The telescopic mast **GIANT** is the largest Fireco mast and has a diameter of 250mm. This mast model can carry huge top loads and is therefore suitable for the mounting of very big lamp units, large antennas and heavy measuring equipment. The extended heights go from 6.476 mm up to 39.952 mm.



APPLICATIONS



Mod. GIANT Ø 250 mm		13 sections with internal cable										
CG 43		01	02	03	04	05	06	07	08	09		
Code N	extended height	mm	8.451	9.951	12.447	14.941	18.447	20.941	23.947	26.939	29.953	
	retracted height	mm	1.550	1.730	1.970	2.220	2.570	2.880	2.910	3.190	3.480	
	weight	kg	98,8	110,6	128	145,4	170,2	188,1	206,4	228,2	250,2	
internal spiralled cable		Standard 4x1,5 mm ² Cod. B					Note*:GUYED					
	max. top load	kg	90	80	70	60	55	50	45	40	35	
	max. allowed wind speed*	km / h	130	115	90	85	65	100	80	65	50	
	with max. surface		1 m ²		0,5 m ²		1 m ²	0,8 m ²	0,65 m ²	0,5 m ²		
	max. air pressure		3 kg / cm ² (bar)									
	Ø top section		64 mm									
								2 Levels of guying rings		3 Levels of guying rings		

Mod. GIANT Ø 250 mm		14 sections with internal cable										
CG 44		01	02	03	04	05	06	07	08	09		
Code N	extended height	mm	14.944	18.461	20.953	23.944	26.937	29.930	32.946	36.444	39.952	
	retracted height	mm	2.190	2.520	2.780	2.820	3.070	3.320	3.580	3.880	4.190	
	weight	kg	141,7	165,4	182,6	201,9	221,1	240,3	259,7	283,4	307,2	
internal spiralled cable		Standard 4x1,5 mm ² Cod. B			Note*:GUYED							
	max. top load	kg	60	50	40	35	30	25	20	15	10	
	max. allowed wind speed*	km / h	80	60	95	75	60	45	40	35	30	
	with max. surface		0,5 m ²		1 m ²	0,8 m ²	0,65 m ²	0,5 m ²	0,3 m ²	0,2 m ²	0,1 m ²	
	max. air pressure		3 kg / cm ² (bar)									
	Ø top section		51 mm									
						2 Levels of guying rings		3 Levels of guying rings			4/5 Levels of guying rings	

*When erecting masts with guying ropes, take extreme care during the extension phase. Maximum allowed wind speed during extension is 20km/h



FLOODLIGHTS CONFIGURATIONS

There are many different types of floodlights configurations:

- 40W LED – 3.600 Lumen
- 100W LED – 10.479 Lumen
- 162,5W LED – 16.250 Lumen
- 185W LED – 20.000 Lumen
- 400W HPS OR MH WITH INTEGRATED ELECTRONIC BALLAST 55.000/44.000 Lumen
- 1000W HPS OR MH WITH INTEGRATED ELECTRONIC BALLAST - 130.000/80.000 Lumen

FIRECOLED 100W



MAIN FEATURES

LED FLOODLIGHT

Light flux:	10.479 lm
Power supply:	12÷24VDC-230VAC
Power absorption:	8,3A 12VDC - 4,2A 24VDC - 0,43A 230V
Consumption:	100W
Aluminium body:	IP66
Weight:	3,5kg

The future of illumination is LED. Fireco products are always up to date and therefore we are proud to present the FirecoLED! The LED lights have many advantages such as high efficiency, long life, shock resistance, low voltage demand, reduced power consumption and lower operating temperature.

FIRECOXLED 162,5W / 185W



MAIN FEATURES 162,5W / 185W

Light flux at the source:	16250 lm / 20000 lm
Power supply:	12 ÷ 24DC
Power absorption:	13,78 A @ 12V – 6.72 A @ 24V 15,41 A @ 12V – 7.58 A @ 24V
Absorption:	162W @ 24V - 165W @12V 182W @ 24V - 185W @12V
Aluminum body:	IP67
Operating temperature:	von -20 bis +40°C
Weight:	7kg

Nr. 65 LED white light 2,5W / Nr. 65 LED white light 2,8W Instant production of the maximum brightness (100ns) No UV-emission.

Tilt units and Tilt & Turn units

TILT UNIT SUPER HEAVY



- TL.31551 = 12V
- TL.31552 = 24V

- TL.31561 = 12V
- TL.31562 = 24V

The tilt unit Super Heavy permits to tilt the equipment approximately 100° and can have a max. top load from 60kg to 100kg. The motor can be mounted either horizontally or vertically.

Vertically mounted

TL.31551 = Tilt unit Super Heavy 12V

TL.31552 = Tilt unit Super Heavy 24V

Horizontally mounted

TL.31561 = Tilt unit Super Heavy 12V

TL.31562 = Tilt unit Super Heavy 24V

Weight = 10kg

TILT AND TURN UNIT HEAVY WITH INDEPENDENT TILTING OF THE ARMS (3 MOTORS)



- TT.31625 = 12V
- TT.31626 = 24V

The biggest tilt & turn unit, for big and heavy floodlights.

The maximum top load is 150kg and the arms of the unit can be tilted independently.

Available 12V and 24V.

Multifunctional remote controls with electronic board



The FIRECO multifunctional remote control permits you to control ALL the functions of the mast with just one remote control. The remote control is easy and safe to use, thanks to the automatic block of the

keypad and easy to understand functions. The mast with the multifunctional remote control is supplied with an electronic board and an electrovalves group.

MAST WITH TILT AND TURN UNIT



- RC.31746

Multifunctional remote control for mast extension/retraction, tilt & turn of the floodlights, on/off switching of floodlights, automatic restore – ergonomic, with protection cover and 4mt spiralled cable

Available also radio = [RC.31747](#)

Available also TOUCH SCREEN



- RC.31748

Multifunctional remote control for mast extension/retraction, turn & independent tilting of the floodlights, on/off switching of floodlights, automatic restore – ergonomic, with protection cover and 4mt spiralled cable

Available also radio = [RC.31749](#)



- RC.31756

SMART Multifunctional remote control for mast extension/retraction, tilt & turn of the floodlights, on/off switching of floodlights, automatic restore – ergonomic, with protection cover and 4mt spiralled cable – **USABLE WITH AND WITHOUT CABLE** – switches automatically to the radio mode as soon as the cable is detached – with rechargeable batteries – back-lit keypad

Also available for tilt & turn with independent tilting = [RC.31758](#)

Pneumatic Control Board

The pneumatic control board is designed for the mast extension and retraction and is required when you use the air from

the vehicle's air system, a compressed air cylinder or a compressor without pressure control.



PC.33213



PC.33211
Pneumatic control block with pressure regulator

PC.33212
Pneumatic control block with pressure regulator and spring

PC.33213
Pneumatic control block with pressure regulator and spring only for extension

PC.33221
Pneumatic control block pressure regulator and dry filter

PC.33222
Pneumatic control block with pressure regulator, dry filter and spring

PC.33223
Pneumatic control block with dry filter and spring for extension only



ROUND ROOF BRACKET

BK.30007 = for mast $\varnothing 152$ mm



SQUARE ROOF BRACKET

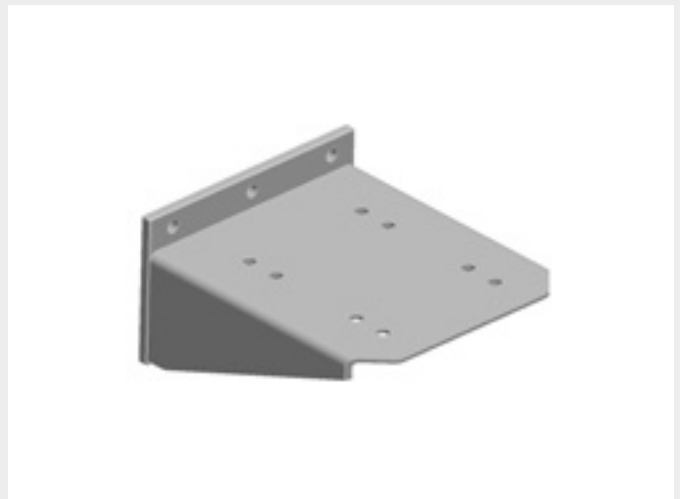
BK.30057 = for mast $\varnothing 152$ mm
BK.30058 = for mast $\varnothing 200$ mm
BK.30061 = for mast $\varnothing 250$ mm



REINFORCED UPPER FIXING BRACKETS

for masts with extended height over 7mt

BK.30207.R = for mast $\varnothing 152$ mm
BK.30208.R = for mast $\varnothing 200$ mm
BK.30211.R = for mast $\varnothing 250$ mm



LOWER FIXING BRACKET

BK.30107 = for mast $\varnothing 152$ & $\varnothing 200$ mm
BK.30111 = for mast $\varnothing 250$ mm

GALLERY FOR

Heavy | Super Heavy | Giant

