

# ROOF MAST

ENG

ELECTROPNEUMATIC ROOF BASE PRO - ELECTROPNEUMATIC ROOF PLUS PRO  
MANUAL ROOF MAST



## TOPICS

- SPACE SAVING ROOF MOUNTING
- INTERNAL CABLE (ALSO FOR CAMERAS)
- UP TO 10MT EXTENDED HEIGHTS
- TILT & TURN UNITS WITH INDEPENDENT TILTING

- INSIDE FOCUS SYSTEM
- BUILT-IN COMPRESSOR
- SMART REMOTE CONTROL
- DOUBLE ACTUATOR

## APPLICATIONS



# Electropneumatic Roof Base Pro

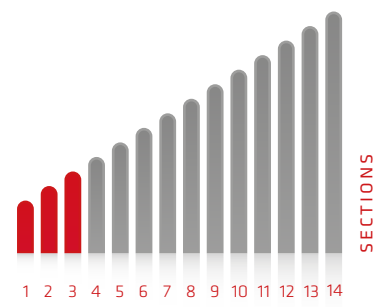
The roof mast model **BASE PRO** has a main tube  $\varnothing 64$  and  $\varnothing 77$  and is equipped with a tilt and turn unit NOVA 12V or 24V, a micro switch, a multifunctional remote control for all the mast's functions, one electronic board and a built-in compressor.

As optional also a wireless remote control or a SMART remote control can be supplied.

This system is suitable for small lamp units, like 2x1000W Halogen, 2x1500W Halogen, 2xLED lamps etc.



APPLICATIONS



		Mod. ROOF BASE PRO ZERO $\varnothing 64$	2 sections with internal cable	
		RE 55	11	12
Code N	extended height	mm	1.734	2.219
	retracted height	mm	1.264	1.520
		internal spiralled cable	Code Z - P	
		max. top load	15	
		weight	49	51
		max. allowed wind speed	150	130
		with max. surface	0,54 m <sup>2</sup>	
		max. air pressure	2,5 kg / cm <sup>2</sup>	

		Mod. ROOF BASE PRO ULTRALIGHT $\varnothing 77$	3 sections with internal cable			
		RE 56	11	12	13	14
Code N	extended height	mm	2.068	2.503	2.990	3.118
	retracted height	mm	1.255	1.368	1.563	1.596
		internal spiralled cable	Code Z - P			
		max. top load	15			
		weight	51	52	53,5	54
		max. allowed wind speed	160	140	125	120
		with max. surface	0,54 m <sup>2</sup>			
		max. air pressure	2,5 kg / cm <sup>2</sup>			

# Electropneumatic Roof Plus Pro



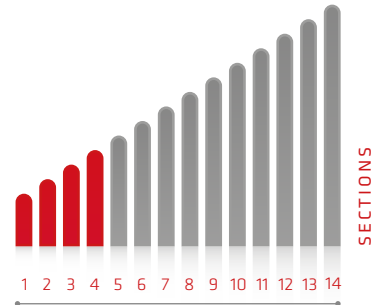
The roof mast model **PLUS PRO** has a main tube Ø90 and Ø115, and is equipped with a tilt and turn unit NOVA 12V or 24V, a micro switch, a multifunctional remote control for all the mast's functions and one electronic board.

The roof PLUS PRO has a stronger structure than the BASE PRO one and can carry bigger loads.

As optional there can be supplied also a tilt and turn unit with independent tilting, a built-in compressor, a wireless remote control or a SMART remote control. This system is suitable for the most common lamp units, from 4x1000W Halogen to 6x1000W Halogen, 2x1000W MH/HPS, 6xLED lamps, 4x400W MH or HPS etc.



APPLICATIONS



Mod. ROOF PLUS PRO LIGHT Ø 90			3 sections with internal cable			
RE 57			11	12	13	14
Code N	extended height	mm	2.475	2.815	3.115	3.415
	retracted height	mm	1.437	1.572	1.672	1.772
internal spiralled cable			Code Z - P - W			
max. top load		kg	25		20	
weight		kg	63	64	65	66
max. allowed wind speed		km / h	145	135	125	115
with max. surface			0,74 m <sup>2</sup>			
max. air pressure			2,5 kg / cm <sup>2</sup>			

Mod. ROOF PLUS PRO STANDARD Ø 115			4 sections with internal cable			
RE 58			11	12	13	14
Code N	extended height	mm	3.101	3.467	3.867	4.253
	retracted height	mm	1.531	1.605	1.705	1.818
internal spiralled cable			Code Z - P - W			
max. top load		kg	30		25	
weight		kg	68	69,5	71	72,5
max. allowed wind speed		km / h	160	150	140	130
with max. surface			0,74 m <sup>2</sup>			
max. air pressure			2,5 kg / cm <sup>2</sup>			

Upon request we have also other solutions with extended heights up to 10mt. Kindly contact us.

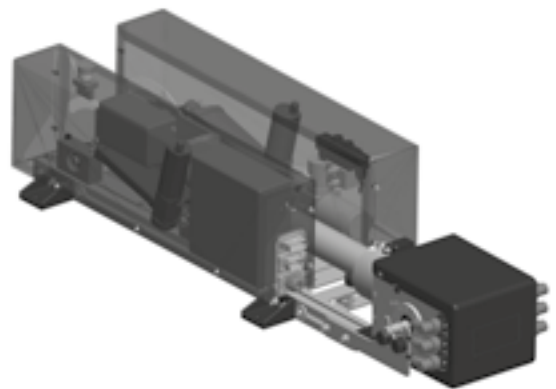
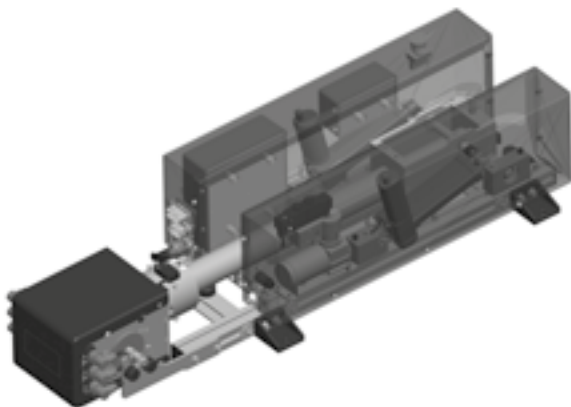
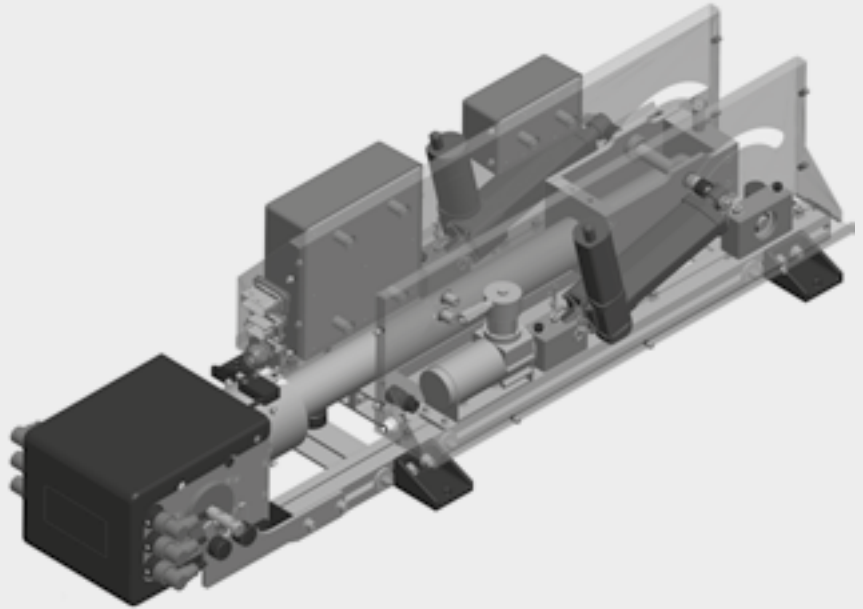
# Double Actuator

---

The double actuator gives more strength to the unit, higher top loads can be 90° tilted, if one gets broken the second one can still move the unit in emergency situations.

The feet can be adjusted for the most suitable mounting on the roof.  
The unit has Plug & Play connectors for an easy and quick installation.  
The air compressors are integrated under the base cover.

---





## FLOODLIGHTS CONFIGURATION

There are many different types of floodlights configuration:

- 40W LED – 3.600 Lumen
- 100W LED – 10.479 Lumen
- 162,5W LED – 16.250 Lumen
- 185W LED – 20.000 Lumen
- 400W HPS OR MH WITH INTEGRATED ELECTRONIC BALLAST 55.000/44.000 Lumen
- 1000W HPS OR MH WITH INTEGRATED ELECTRONIC BALLAST 130.000/80.000 Lumen

## FIRECOLED 100W



### MAIN FEATURES

#### LED FLOODLIGHT

Light flux:	10.479 lm
Power supply:	12÷24VDC-230VAC
Power absorption:	8,3A 12VDC - 4,2A 24VDC - 0,43A 230V
Consumption:	100W
Aluminium body:	IP66
Weight:	3,5kg

The future of illumination is LED. Fireco products are always up to date and therefore we are proud to present the FirecoLED! The LED lights have many advantages such as high efficiency, long life, shock resistance, low voltage demand, reduced power consumption and lower operating temperature.

## FIRECOXLED 162,5W / 185W



### MAIN FEATURES 162,5W / 185W

Light flux at the source:	16250 lm / 20000 lm
Power supply:	12 ÷ 24DC
Power absorption:	13,78 A @ 12V – 6.72 A @ 24V 15,41 A @ 12V – 7.58 A @ 24V
Absorption:	162W @ 24V - 165W @12V 182W @ 24V - 185W @12V
Aluminum body:	IP67
Operating temperature:	von -20 bis +40°C
Weight:	7kg

Nr. 65 LED white light 2,5W / Nr. 65 LED white light 2,8W Instant production of the maximum brightness (100ns) No UV-emission.

# Tilt & Turn units

---

The Fireco **TILT & TURN UNITS** have almost become a standard for the electropneumatic Roof masts. The system is easy and reliable and permits to tilt the lamps (or the equipment) 335° and to turn 365°. There are many different models in order

to provide a solution to all the possible needs. Independent tilting of the arms is also possible. Combined with the multifunctional remote control, the system becomes a complete unit, ready to be used and very easy to be controlled.

---

## TILT & TURN UNIT NOVA 2 MOTORS

---



**TT.36151 = 12V**  
**TT.36152 = 24V**

---

Compact and easy to use, the maximum top load is 40kg. Available 12V and 24V, suitable for the most common applications. It will be supplied with a set of quick connectors for each floodlight (to be ordered separately).

---

## TILT AND TURN UNIT NOVA WITH INDEPENDENT TILTING OF THE ARMS (3 MOTORS)

---



**TT.36161 = 12V**  
**TT.36162 = 24V**

---

The arms can be tilted independently for a wider illumination capacity. The maximum top load is 50kg. Available 12V and 24V. It will be supplied with a set of quick connectors for each floodlight (to be ordered separately).

---

# Inside focus system on tilt and turn unit Nova

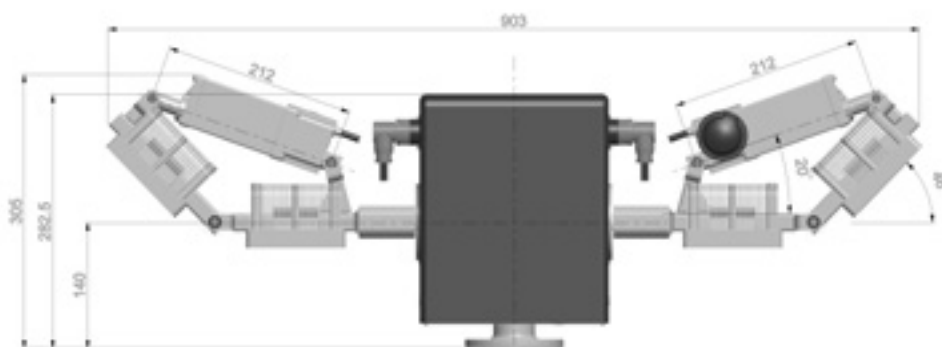
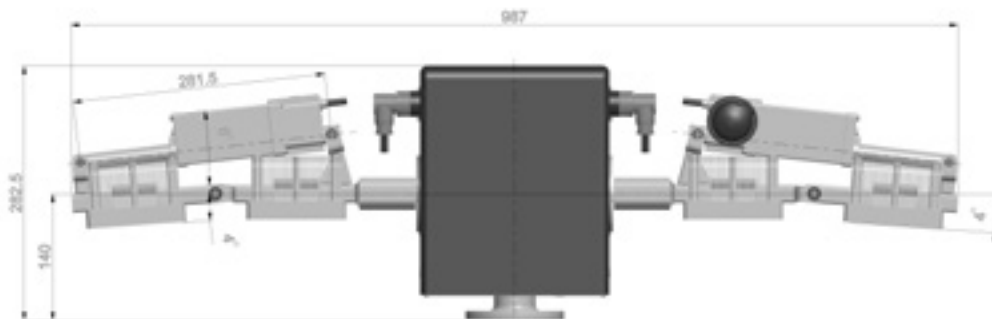


The **INSIDE FOCUS SYSTEM** allows you to mount on the tilt and turn unit a motorized lamp unit, for increasing or focusing the lighting beam angle (+46°/-4°).

It can be equipped with **40W LED, 50W LED, 90W LED, Hella 42W Xenon or Hella Power Beam 3000** floodlights.

The tilt and turn unit allows you to turn the complete unit 365° and to tilt it 335°, furthermore you can move the arms -4° and +46° like shown in the pictures.

This will permit you to illuminate a wide area and to direct the lighting beam to the required direction. All the functions of this unit can be controlled by one multifunctional remote control.





# Multifunctional remote controls with electronic board

The FIRECO multifunctional remote control permits you to control ALL the functions of the mast with just one remote control. The remote control is easy and safe to use, thanks to the automatic block of the keypad and easy to understand functions.

The mast with the multifunctional remote control is supplied with an electronic board and an electrovalves group.

## MAST WITH TILT AND TURN UNIT



### - RC.31746

Multifunctional remote control for mast extension/retraction, tilt & turn of the floodlights, on/off switching of floodlights, automatic restore – ergonomic, with protection cover and 4mt spiralled cable

Available also radio = [RC.31747](#)

Available also TOUCH SCREEN

Also available for tilt & turn with independent tilting = [RC.31748](#)



### - RC.31756

SMART Multifunctional remote control for mast extension/retraction, tilt & turn of the floodlights, on/off switching of floodlights, automatic restore – ergonomic, with protection cover and 4mt spiralled cable – **USABLE WITH AND WITHOUT CABLE** – switches automatically to the radio mode as soon as the cable is detached – with rechargeable batteries – back-lit keypad

Also available for tilt & turn with independent tilting = [RC.31758](#)



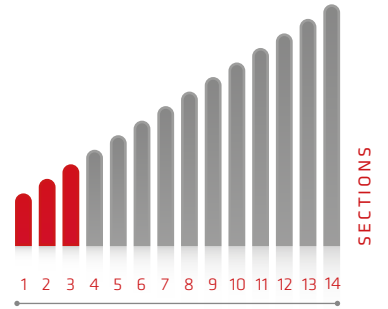
# Manual Roof Mast



The **MANUAL ROOF MAST** is a very good solution when there is not much space inside the vehicle body, the mast can be easily mounted on the vehicle roof and can be 90° tilted, manually or electrically. The manual version is very simple and easy and it is suitable for small lamp units and other light weight equipment.



APPLICATIONS



## TECHNICAL LAYOUT



# GALLERY FOR Roof Mast

---





